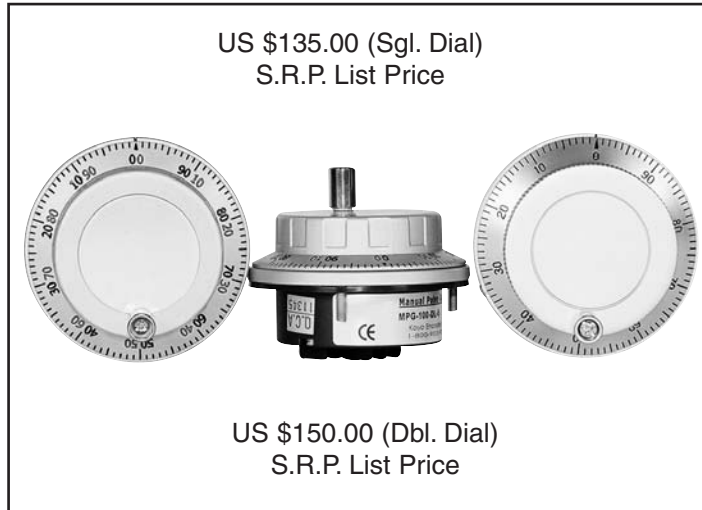


Series MPG SIZE 30 HAND WHEEL

WORLD ENCODERS

1-800-903-9093



For CNC Panels Interchangeable with

- Euchner
- Nemicon
- Sumtak
- Fanuc

FEATURES

- Std. Interchangeable Designed
- Quadrature Dual Channels
- Linedriver 5vDC or Voltage 10 ~ 15vDC Output

SPECIFICATIONS

Electrical

Output	Line Driver	(RS422-A)
Output Pulse/Revolution	100PR	
Supply Voltage (Vcc)	DC5±0.25V	Ripple less than 3% with noise.
Current Requirements	≤160mA	No load
Output Voltage (VH)	≥2.5V	Vcc = 4.75V, IoH = -20mA
Output Voltage (VL)	≤0.5V	Vcc = 4.75V, IoL = +20mA
Sink Current	≤20mA	Vcc = 4.75V
Rise/Fall Time	≤100, 100ns	
Frequency Response	0~5kHz	kHz A,B phase
Insulation Resistance	≥20M	at 250VDC Megger (Circuit-Body)

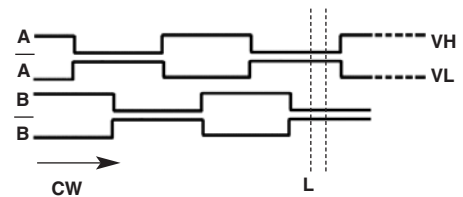
Mechanical

Rotational Speed	600r/min. ≤200r/min.N•m	Momentary Max. Normal
Torque	0.015~0.1 N•m	At 25°C
Dial Click Life	3 x10 ⁵ turns	≤200r/min
Mass (approx.)	0.3kg	

Environmental

Operating Temperature	0~+60°C	No condensation
Storage Temperature	- 30~+70°C	No condensation
Vibration	19.6m/s ²	10~200Hz, 2 hours each X-Y-Z
Construction	IP44 equivalent	When mounting your panel No Condensation

OUTPUT WAVE FORMS



Relation between output signals and click stop position.

CONNECTIONS / SINGLE DIAL



L.D.
5VDC

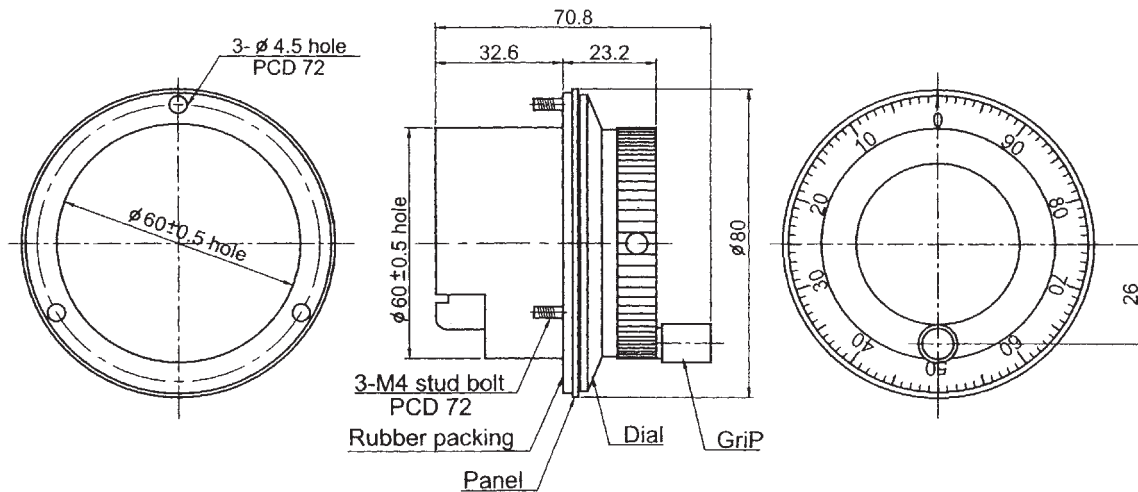
Voltage
10~15VDC

MPG-100-L5

MPG-100-V12

Series MPG / Size 30 Hand Wheel / Single Dial Model

MODEL NUMBER	SPECIFICATION	AVAILABILITY	LIST PRICE
MPG-100-L5	100 Pulse, 5vDC Linedriver Output Quadrature Dual Channels	IN STOCK	<----->
MPG-100-V12	100 Pulse, 10-15vDC Voltage Output Channel A and Channel B Single Ended	IN STOCK	<----->



Series MPG / Size 30 Hand Wheel / Double Dial Model (Black: CW, Red: CCW)

MODEL NUMBER	SPECIFICATION	AVAILABILITY	LIST PRICE
MPG-100-DL-5	100 Pulse, 5vDC Linedriver Output Quadrature Dual Channels	IN STOCK	\$150.00

